

ultraframe

Transforming light and space



Livinroom

Full Glass Roofs
System Overview and Design Guide

July 2014 | V2

INTRODUCTION AND OVERVIEW

The conservatory that thinks it's an extension. Welcome to the **Livingroom**

The LivingRoom uses the well proven Ultraframe Classic Glazed Roof at its heart and then adds an engineered framing system internally which is plastered to give a perimeter ceiling all the way round.

This creates something that is neither conservatory nor extension. It combines all the benefits of the former in terms of light and then fuses this with the solidity and feel of an extension. This effect can be played up or down depending on whether glazed walls or masonry walls are specified.

All of this can be achieved at a price point not dissimilar to that of a standard conservatory.



CONTENTS

Introduction	<i>page 2</i>
System Overview	<i>page 3</i>
Standard Details	<i>pages 4-7</i>
Typical Cross Sections	<i>pages 8-11</i>
Every day shapes	<i>page 12</i>
Case Study	<i>page 13</i>
Order Form	<i>page 14</i>
Installation - Quick Overview	<i>page 15</i>



Externally, this design features Cornice.

Product definition



An engineered steelwork ladder system that forms a framework relying only on the roof for support onto which plasterboard is screw fixed.

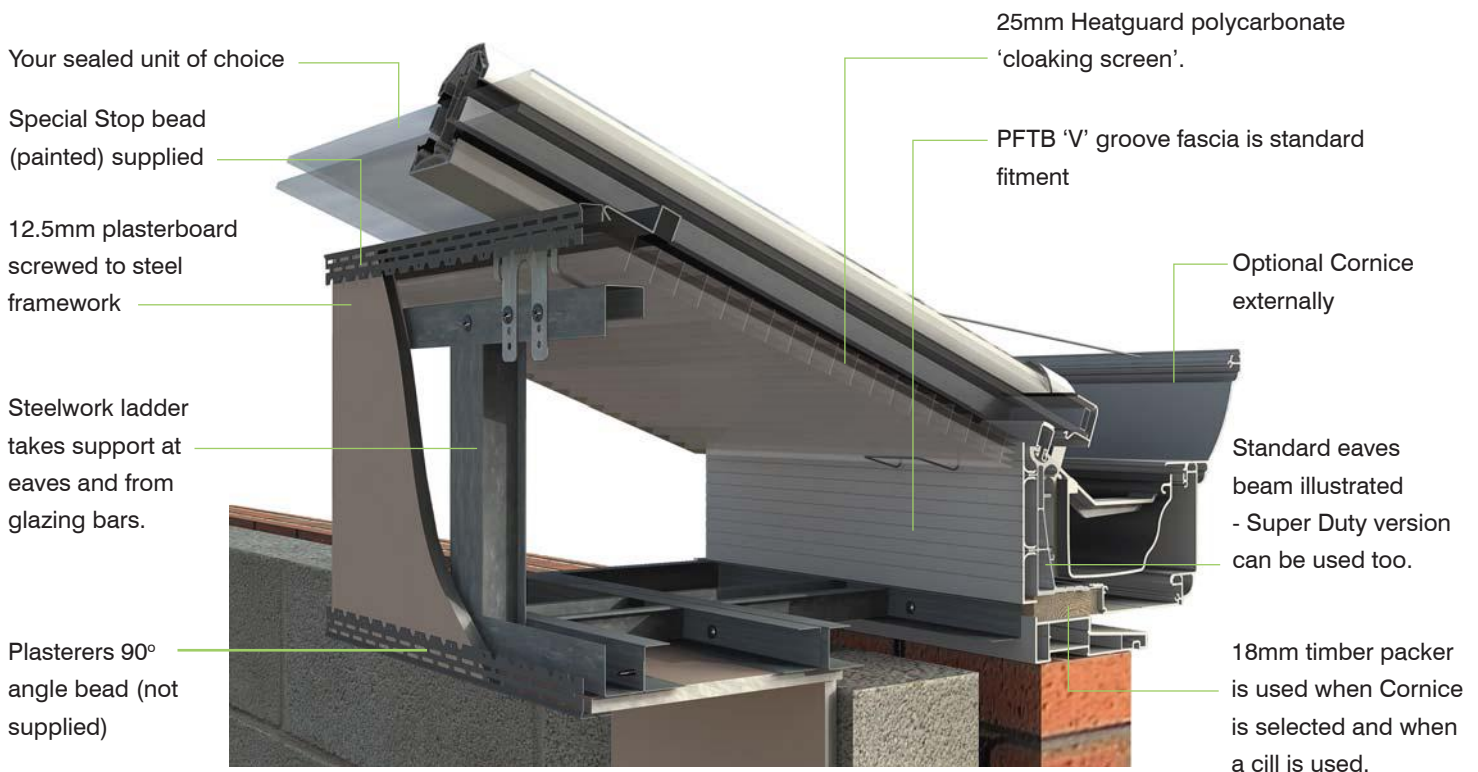


Consumer Benefits

- Enjoy the light from a conservatory with the feel of an extension - providing greater overall value and the best of all worlds.
- Creates a whole new dynamic to the space - a 'real room/living room' feel.
- You can maintain light and space by using windows all round OR have brick piers to give a greater sense of solidity.
- A holistic 10 year guarantee is issued to your chosen retailer.
- Better thermal efficiency when compared to a standard conservatory.
- This real room/living room feel means more styling and furnishing options and the perimeter ceiling is perfect for down lighters.

Trade Benefits

- As are all Ultraframe's products, *Living Room* was extensively tested in the R&D facilities at Head Office.
- This is a systemised approach, yet maintains flexibility for the retailer
- Steel work ladder framework and roof are integrated as the additional weight is accounted for in Ultraframe's U-Design software which up-specs roof according to postcode and loadings.
- Allows completion of the complete glazed roof externally and internally before steelwork ladder system is installed.
- Steelwork ladder framework system is supplied on the same lead time as the roof.

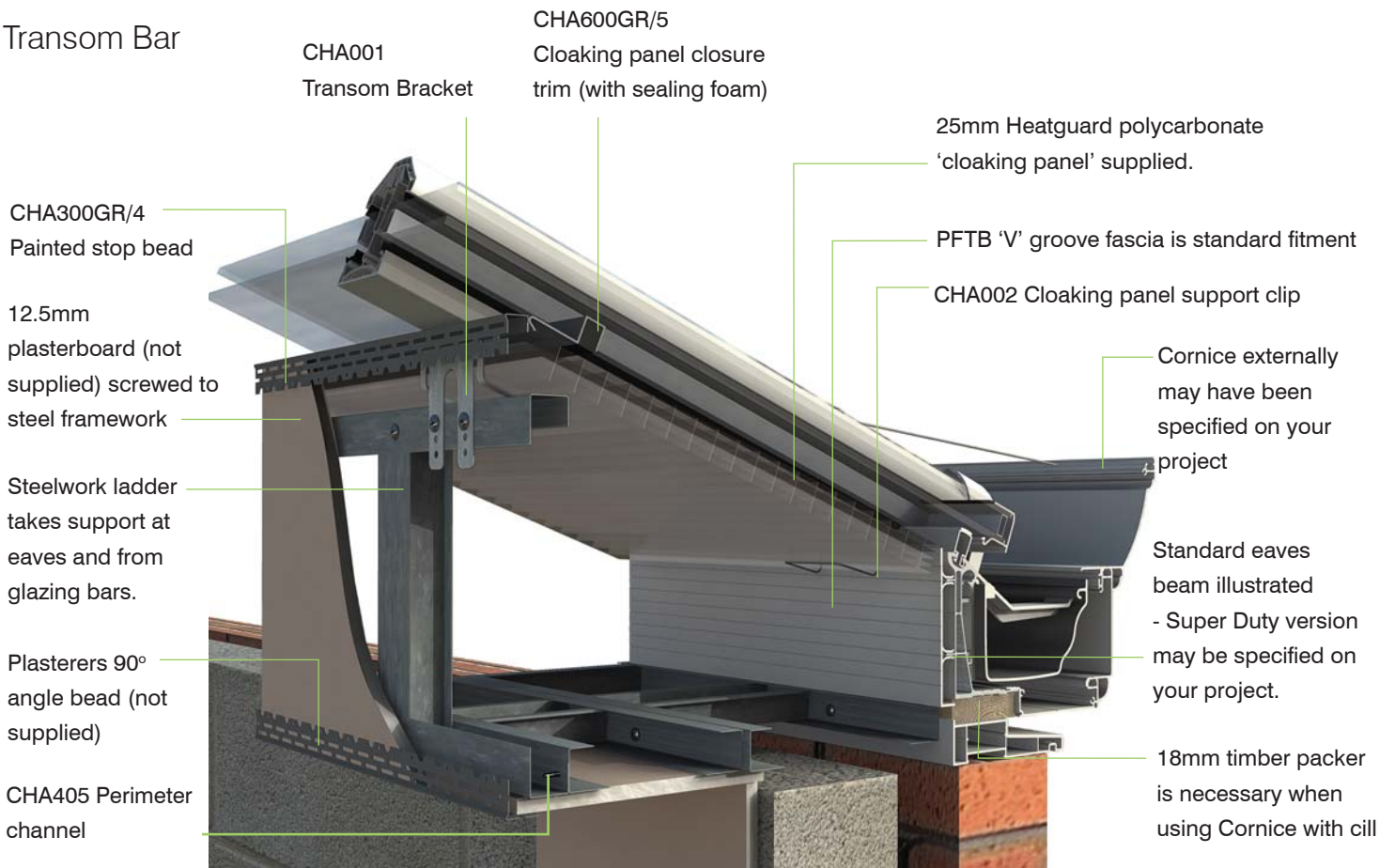


Key Performance Criteria

- Can be used from 15 - 40 degrees
- Steelwork ladder system extends from 300mm to 1200mm
- Datum point is internal side frame to external face of 12.5mm plasterboard.
- The system is not designed to carry additional suspended weight - e.g. - flatscreen tv's
- Can be used with standard eaves or Super Duty version with box gutters & bolsters and accommodates differential pitches across hips.
- If your chosen design features a box gutter, we strongly suggest you use a 30mm framepacker, which allows the plasterboard to run underneath the boxgutter for a neater finish.

PRODUCT OVERVIEW

Transom Bar



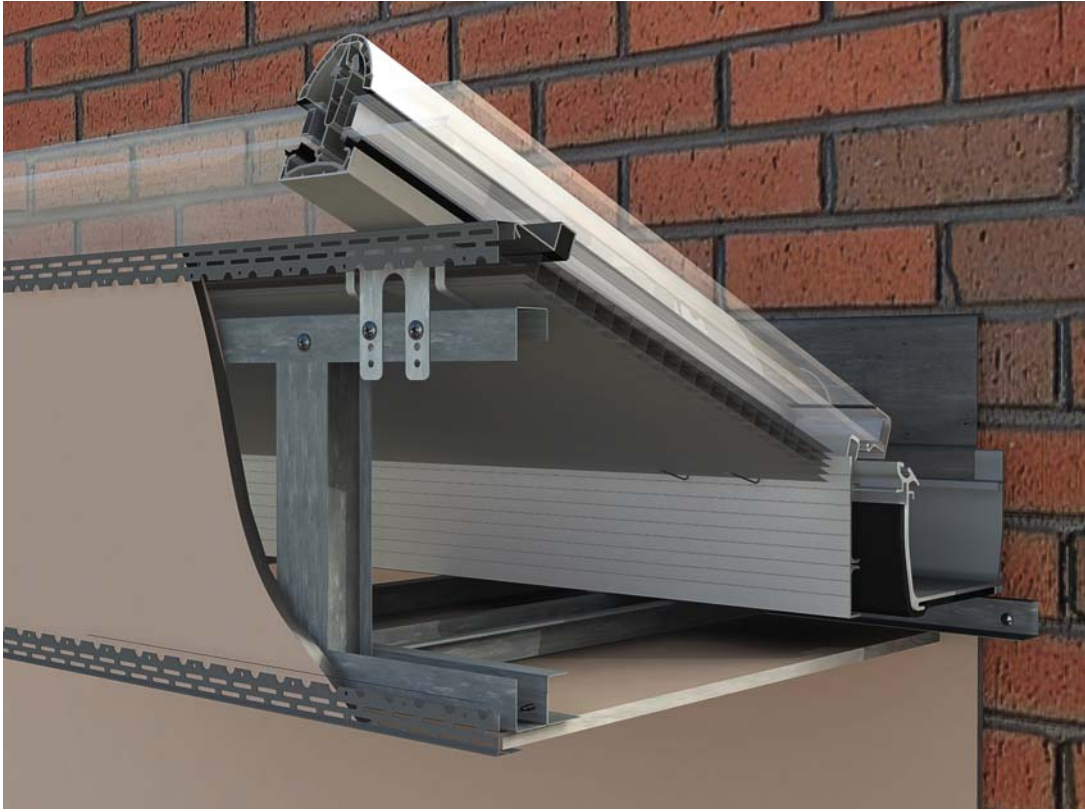
Georgian Bolster Bar



Bolster Corner Infill

PRODUCT OVERVIEW

Box Gutter - with frame add on



Framework terminates on host wall.

Box Gutter - without frame add on (retro fit situation)



Framework terminates on fascia

PRODUCT OVERVIEW

Gable Frame Situation

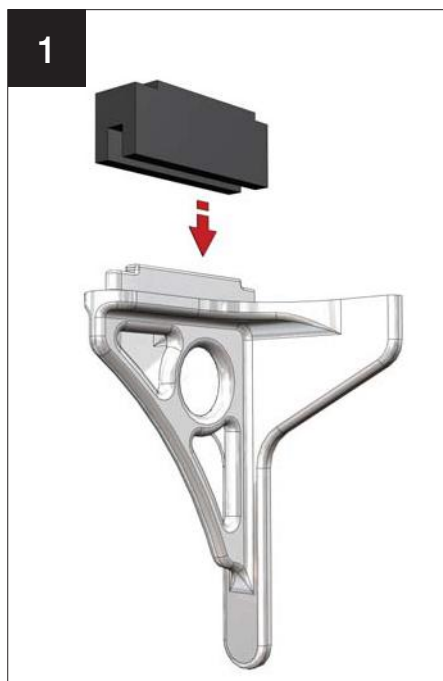


If this is a new installation of *Living Room* then the design of the gable frame should cover the 'open end' of the ladder framework. On retro fits where a redesign of the gable feature is not feasible, the application of a privacy film to the glass may suffice.

GALLOWS BRACKET PRE - PREPARATION

On an installation of roof and *Living Room* you **MUST** have this situation when you arrive on site. Structurally, it is not permissible to insert this packer / spacer when the roof is already glazed

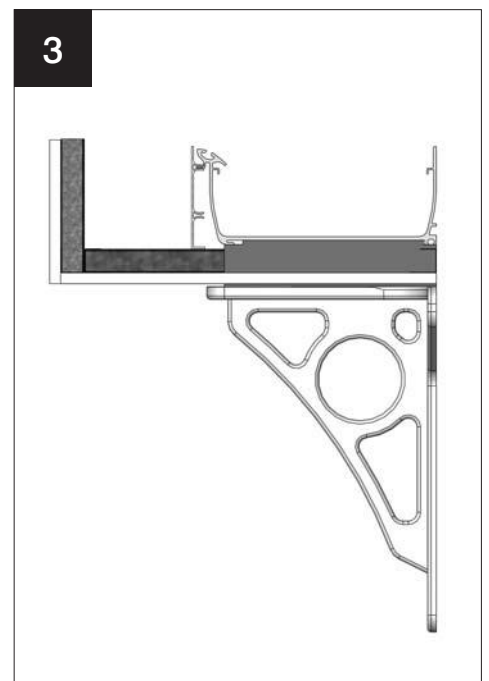
Packer / Spacer slips over



Finished installation - 165mm



Box Gutter - 265mm



Lighting Layouts

Into the 12.5mm plasterboard, can be inset down lighters.

The ladder steelwork framework provides the perfect vehicle to transport wiring back to the dwelling's wiring circuits.

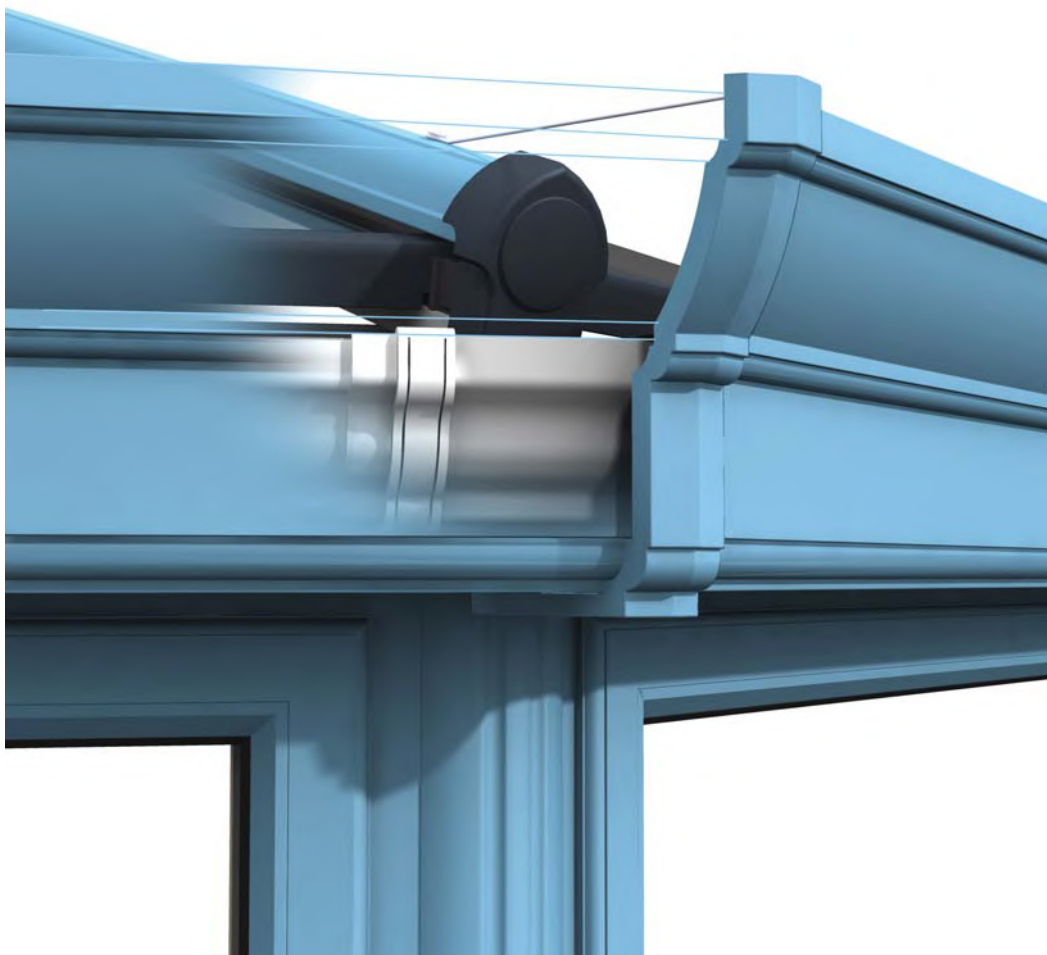


Optional Cornice externally

Cornice can be used to give additional visual interest.

It can be used with standard eaves beam or with the Super Duty eaves beam.

Corner covers for 135 and 90 degree corners are now featured as standard.



TYPICAL CROSS SECTIONS

1

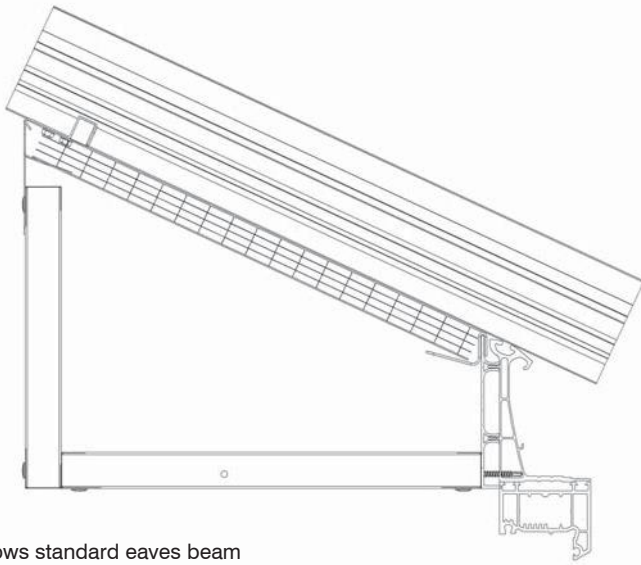


Illustration shows standard eaves beam

Ladder framework terminates on Fascia - standard eaves

Here we have the ladder steelwork terminating on the PFTB plank fascia (using standard eaves beam).

This detail is used when there are window frames around the complete perimeter and where there are no box gutters included in the design.

This design is also used if the ladder is retro fitted to an existing Ultraframe roof.

2

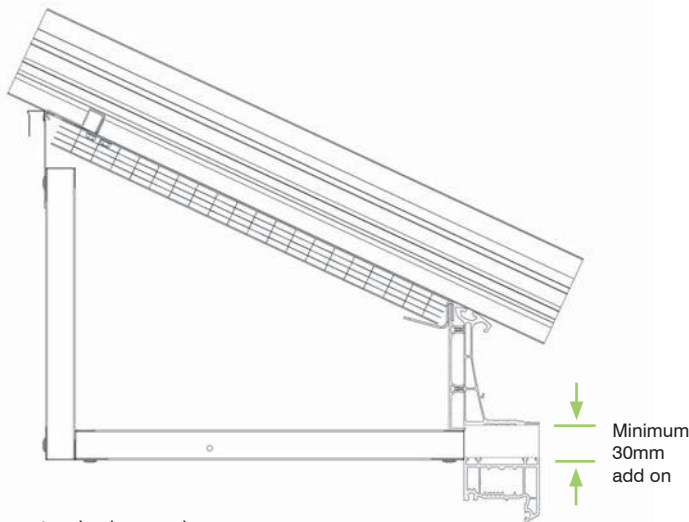


Illustration shows standard eaves beam

Ladder framework terminates below Fascia - standard eaves

This detail is used when there is a box gutter included in the design. **The steelwork ladder terminates underneath the PFTB plank fascia.**

Please note the following;

- window frames all round, a frame add-on of at least 30mm must be used.

3

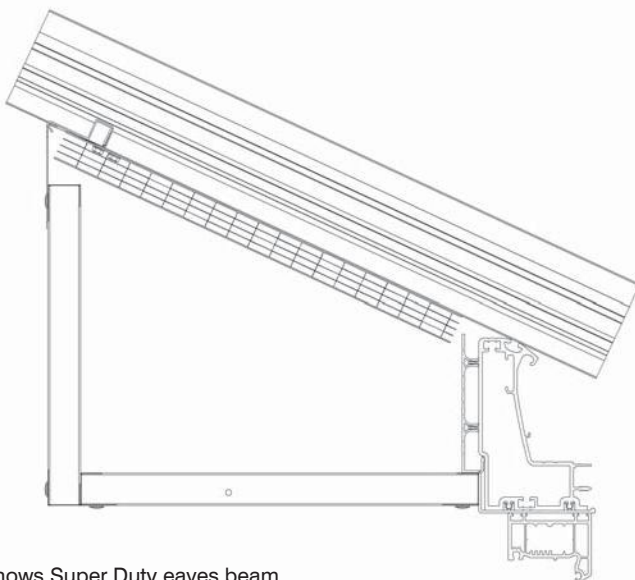


Illustration shows Super Duty eaves beam

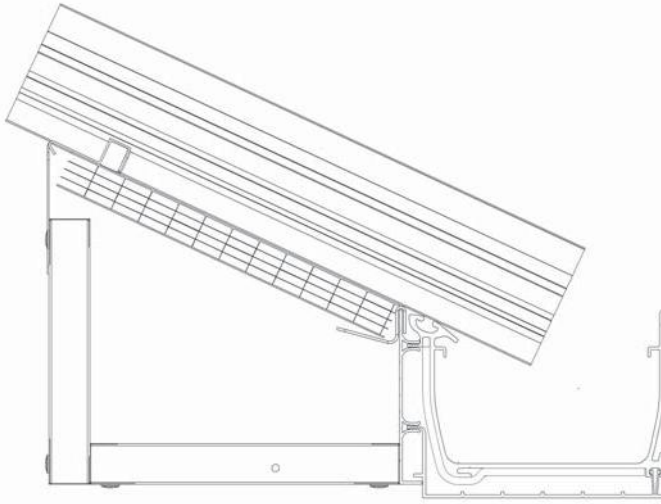
Ladder framework terminates below fascia - Super Duty eaves

Here we see the roof sat onto window frames featuring the Super Duty eaves beam which is used over large door openings

The ladder steelwork terminates under the PFTB plank fascia.

TYPICAL CROSS SECTIONS

4



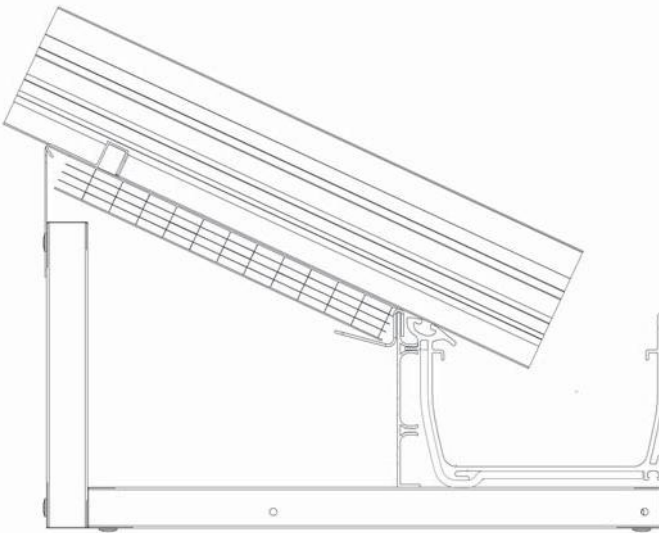
165mm box gutter illustrated - applies to 265mm version also

Box gutter - terminates on fascia

This detail is created when the ladder steelwork framework is retrospectively fitted to an already built conservatory.

Horizontal ladder framework terminates onto the box gutter cladding.

5



165mm box gutter illustrated - applies to 265mm version also

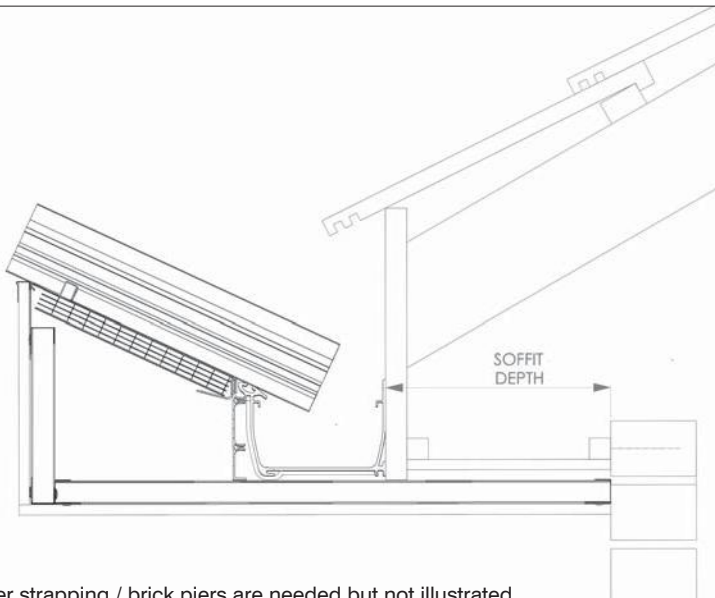
Box gutter - terminates below fascia

When starting a new installation that features a box gutter, this is the way the ladder framework is finished at the box gutter.

To ensure this detail is executed accurately, it is necessary to undertake the following;

- window frames all round, a frame add-on of at least 30mm must be used.

6



Box gutter strapping / brick piers are needed but not illustrated

Box gutter - terminates onto bungalow fascia

To achieve this detail a 30mm add on is required and this allows the horizontal ladder to sail through to the host wall.

Please supply soffit depth when ordering

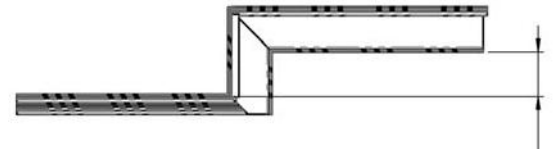
TYPICAL CROSS SECTIONS



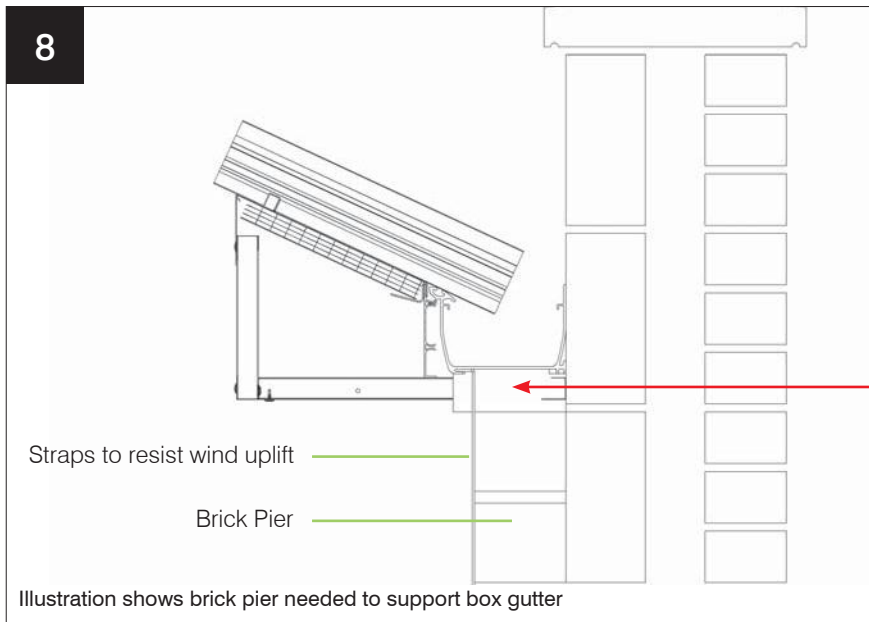
Box gutter - raised back

When the conservatory design features a raised back box gutter, this is the detail.

Please note the rule about 30mm add-on/cill applies



Plan View: Raised back box gutter

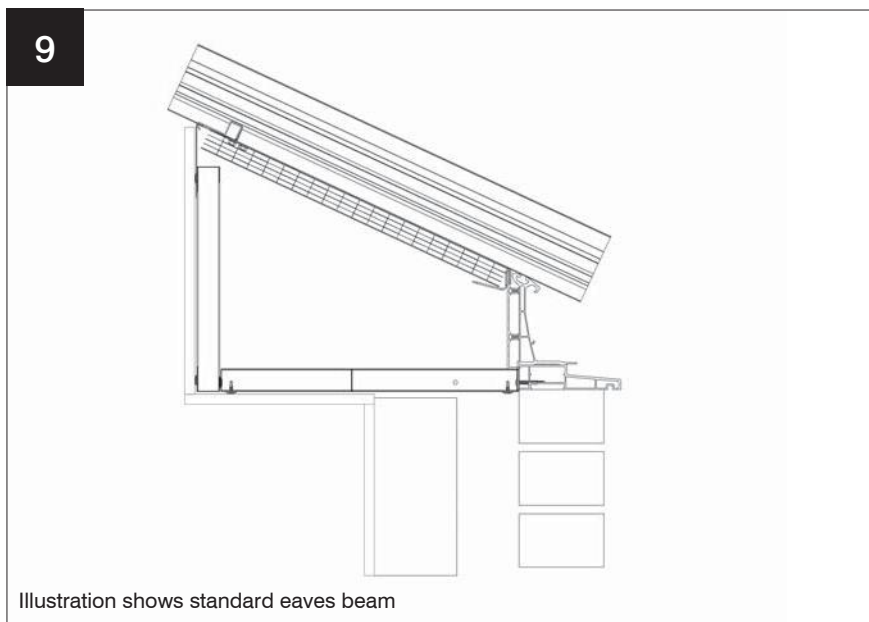


Box gutter - masonry parapet wall

In this situation, a brick pier internally is necessary to support the box gutter. Straps are necessary to resist wind uplift.



2x required on each pier



Standard eaves on cill

A minimum 30mm cill is needed to create this detail.

Horizontal ladder terminates below fascia. Internal block work MUST allow horizontal framework to fly through without interference

TYPICAL CROSS SECTIONS

10



Illustration shows standard eaves beam

Standard eaves beam on cill with Cornice

When Cornice is used with a cill an 18mm timber packer is inserted

11

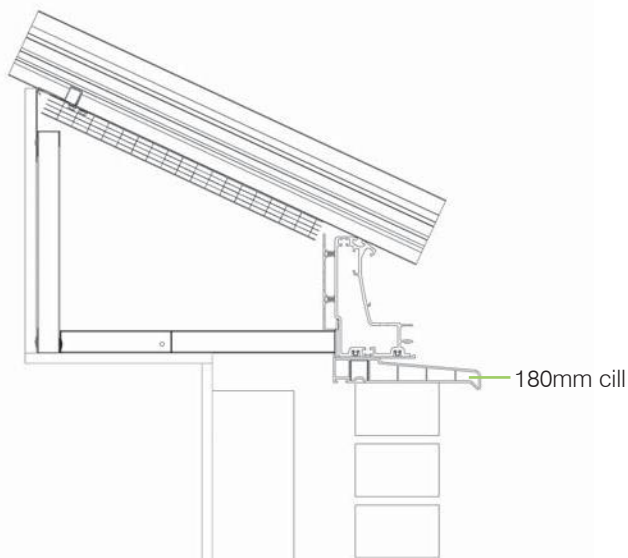


Illustration shows Super Duty eaves beam

Super Duty eaves on cill

When building the roof onto masonry, recommended good practice detail is to use a cill.

As the Super Duty eaves beam sits 'inboard' a further 25mm, we suggest using a 180mm cill.

As drawn, the ladder steelwork terminates below the PFTB plank fascia.

12

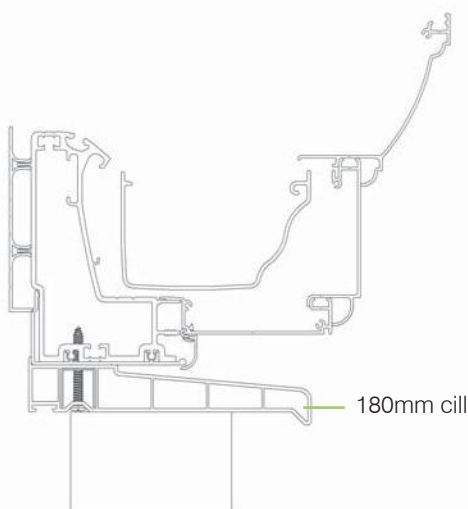


Illustration shows Super Duty eaves beam

Super Duty eaves beam on a 180mm cill with Cornice

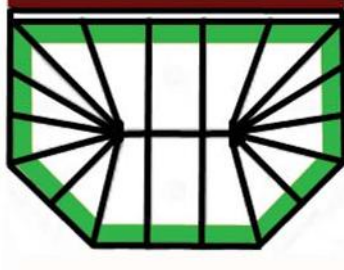
In this situation, we recommend a slightly deeper cill than on standard eaves beam.

Victorian Options

EQUAL BAY



DOUBLE ENDED



STRETCHED FRONT

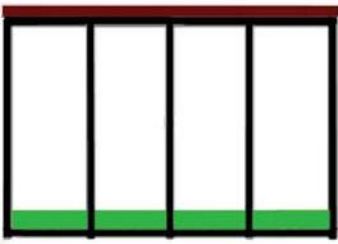


VICTORIAN / GEORGIAN



Lean-to Options

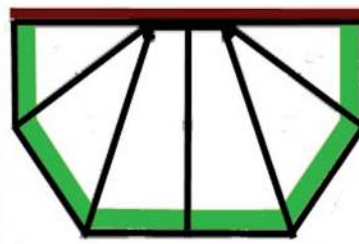
STANDARD



HIPPED



HIPPED HYBRID



WRAP-A-ROUNDS

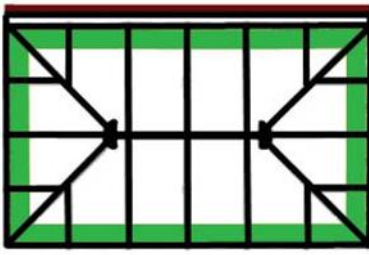


Georgian Options

STANDARD



DOUBLE ENDED

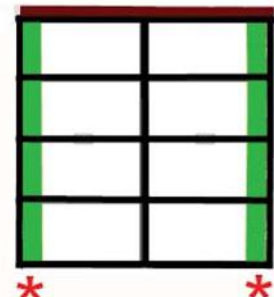


HYBRID

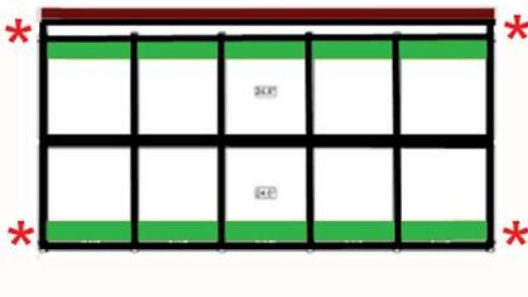



Gable Options

STANDARD



DOUBLE ENDED



 Denotes the area covered by the orangery sections.

Please note that the Orangery section widths will vary dependant on roof pitch.

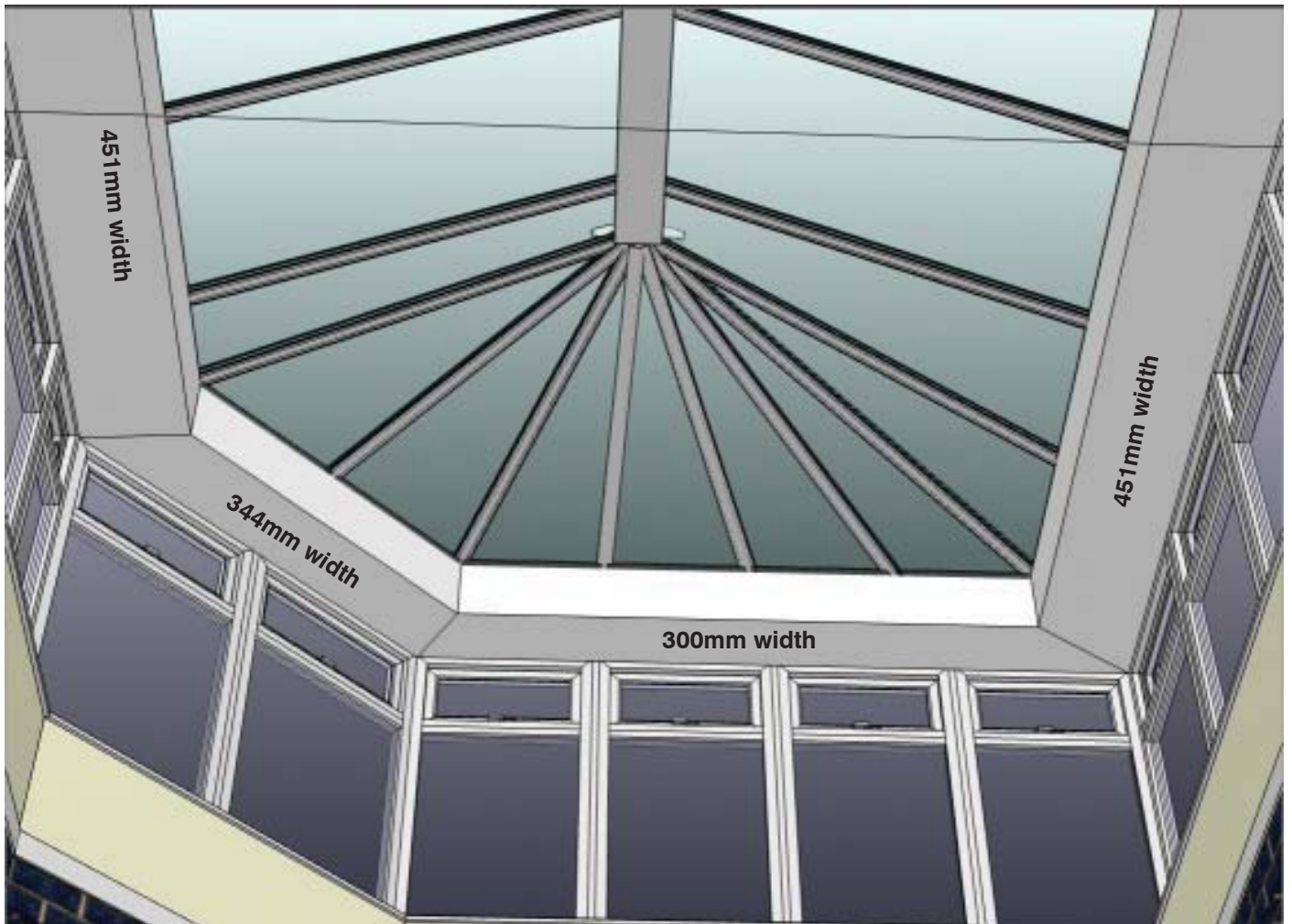
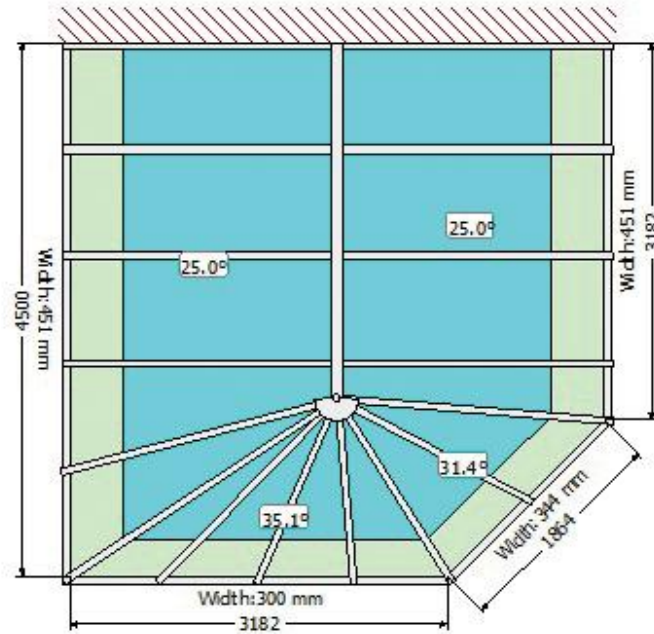
* Cloaking requirements for gables.

This needs to be considered as part of the design and is the responsibility of the retailer to supply and install the materials required to clad off the 'open' end.

Shapes not identified above that feature a valley may incur an additional manufacturing charge.

CASE STUDY

When selling a *Living* Room, it is important to understand that where the design features different pitches - as illustrated - the projection of the ladder framework is varied between elevations. (The height of *Living* Room is constant across elevations). Images lifted from U-Design software.



ACCOUNT No.

Company Name

Order Number

Job Reference

Company Contact

Telephone No.

Fax No.

Delivery Address

.....

.....

Delivery Date Req

Quotation Ref

CUSTOMER NOTE: Please read Living Room design guide before filling in order details

ROOF COLOUR	BESPOKE COLOUR	ROOF/SITE INFORMATION
-------------	----------------	-----------------------

<table style="width:100%; border-collapse: collapse;"> <tr> <td style="width:10%;"></td> <td style="width:10%;">WHITE</td> <td style="width:10%;">DEEPLAS</td> <td style="width:10%;">MAHOGANY</td> <td style="width:10%;">LIGHT OAK</td> <td style="width:10%;">ROSEWOOD</td> <td style="width:10%;">RAL/BS COLOUR</td> <td style="width:10%;"></td> </tr> <tr> <td>EXTERNAL</td> <td><input type="checkbox"/></td> <td><input type="checkbox"/></td> <td><input type="checkbox"/></td> <td><input type="checkbox"/></td> <td><input type="checkbox"/></td> <td><input type="checkbox"/></td> <td>.....</td> </tr> <tr> <td>INTERNAL</td> <td><input type="checkbox"/></td> <td><input type="checkbox"/></td> <td><input type="checkbox"/></td> <td><input type="checkbox"/></td> <td><input type="checkbox"/></td> <td><input type="checkbox"/></td> <td>.....</td> </tr> </table>		WHITE	DEEPLAS	MAHOGANY	LIGHT OAK	ROSEWOOD	RAL/BS COLOUR		EXTERNAL	<input type="checkbox"/>	<input type="checkbox"/>	<input type="checkbox"/>	<input type="checkbox"/>	<input type="checkbox"/>	<input type="checkbox"/>	INTERNAL	<input type="checkbox"/>	<input type="checkbox"/>	<input type="checkbox"/>	<input type="checkbox"/>	<input type="checkbox"/>	<input type="checkbox"/>	ROOF PITCH ROOF HEIGHT RESTRICTION INSTALLATION POSTCODE FRAME WIDTH	
	WHITE	DEEPLAS	MAHOGANY	LIGHT OAK	ROSEWOOD	RAL/BS COLOUR																				
EXTERNAL	<input type="checkbox"/>	<input type="checkbox"/>	<input type="checkbox"/>	<input type="checkbox"/>	<input type="checkbox"/>	<input type="checkbox"/>																			
INTERNAL	<input type="checkbox"/>	<input type="checkbox"/>	<input type="checkbox"/>	<input type="checkbox"/>	<input type="checkbox"/>	<input type="checkbox"/>																			

Living Room UPGRADE	HORIZONTAL WIDTH - BETWEEN 300 - 1200MM	FRAMEWORK DETAIL
---------------------	---	------------------

<input type="checkbox"/> UPGRADE WITH ROOF ORDER <input type="checkbox"/> UPGRADE WITH RETRO FIT Original roof job no. if applicable:	<input type="checkbox"/> STANDARD WIDTH (300mm) <input type="checkbox"/> OTHER Please confirm:	<input type="checkbox"/> ON FASCIA* <input type="checkbox"/> BELOW FASCIA IF FITTING TO A BUNGALOW PLEASE INDICATE SOFFIT DEPTH
---	--	---

TOP CAPPINGS	BAR UNDERCLADDINGS	FRAMEWORK DETAIL
--------------	--------------------	------------------

<input type="checkbox"/> DOME <input type="checkbox"/> BEVEL <input type="checkbox"/> ALUMINIUM	<input type="checkbox"/> STANDARD <input type="checkbox"/> ROUND <input type="checkbox"/> SQUARE	<input type="checkbox"/> FULL HEIGHT WALLS <input type="checkbox"/> PARTIAL WALLS <input type="checkbox"/> FULL HEIGHT FRAMES PLEASE STATE ON DRAWING/STYLE AND DIMENSIONS *N.B. IF ORDER IS RETRO FIT THEN OPTION OF ON FASCIA IS THE ONLY OPTION AVAILABLE
--	---	--

EAVES BEAM	CORNICE	GLAZING OPTIONS
------------	---------	-----------------

<input type="checkbox"/> STANDARD (VAAAH) <input type="checkbox"/> STRUCTURAL (SEB) <input type="checkbox"/> GABLE BEAM (MUST be used with CORNICE)	<input type="checkbox"/> YES <input type="checkbox"/> NO RAL COLOUR	<table border="1" style="width:100%; border-collapse: collapse;"> <tr> <th style="width:16.6%;">ANTI SUN (1.2)</th> <th style="width:16.6%;">ANTI SUN (1.5)</th> <th style="width:16.6%;">CLEAR</th> <th style="width:16.6%;">UNGLAZED</th> <th style="width:16.6%;">CONSERVAGLASS - MS POLYMER SEALANT MUST BE USED</th> </tr> <tr> <td><input type="checkbox"/> A1 (BLUE)</td> <td><input type="checkbox"/> B1 (BLUE)</td> <td><input type="checkbox"/> C1 (1.2)</td> <td><input type="checkbox"/> POLY 25MM <input type="checkbox"/></td> <td><input type="checkbox"/> SUBTLE BLUE</td> </tr> <tr> <td><input type="checkbox"/> A2 (GREY)</td> <td><input type="checkbox"/> B2 (GREY)</td> <td><input type="checkbox"/> C2 (1.5)</td> <td><input type="checkbox"/> PLY 35MM <input type="checkbox"/> 24MM GLASS</td> <td><input type="checkbox"/> NEUTRAL CLEAR</td> </tr> </table>	ANTI SUN (1.2)	ANTI SUN (1.5)	CLEAR	UNGLAZED	CONSERVAGLASS - MS POLYMER SEALANT MUST BE USED	<input type="checkbox"/> A1 (BLUE)	<input type="checkbox"/> B1 (BLUE)	<input type="checkbox"/> C1 (1.2)	<input type="checkbox"/> POLY 25MM <input type="checkbox"/>	<input type="checkbox"/> SUBTLE BLUE	<input type="checkbox"/> A2 (GREY)	<input type="checkbox"/> B2 (GREY)	<input type="checkbox"/> C2 (1.5)	<input type="checkbox"/> PLY 35MM <input type="checkbox"/> 24MM GLASS	<input type="checkbox"/> NEUTRAL CLEAR
ANTI SUN (1.2)	ANTI SUN (1.5)	CLEAR	UNGLAZED	CONSERVAGLASS - MS POLYMER SEALANT MUST BE USED													
<input type="checkbox"/> A1 (BLUE)	<input type="checkbox"/> B1 (BLUE)	<input type="checkbox"/> C1 (1.2)	<input type="checkbox"/> POLY 25MM <input type="checkbox"/>	<input type="checkbox"/> SUBTLE BLUE													
<input type="checkbox"/> A2 (GREY)	<input type="checkbox"/> B2 (GREY)	<input type="checkbox"/> C2 (1.5)	<input type="checkbox"/> PLY 35MM <input type="checkbox"/> 24MM GLASS	<input type="checkbox"/> NEUTRAL CLEAR													

POLYCARBONATE	SPACER BAR COLOUR - GLASS UNITS	ROTABOND SEALANT - MS POLYMER
---------------	---------------------------------	-------------------------------

<input type="checkbox"/> CLEAR <input type="checkbox"/> OPAL <input type="checkbox"/> BRONZE <input type="checkbox"/> BRONZE/OPAL <input type="checkbox"/> HEATGUARD/OPAL	<input type="checkbox"/> SILVER (Default) <input type="checkbox"/> GOLD <input type="checkbox"/> BRONZE <input type="checkbox"/> WHITE	<input type="checkbox"/> WHITE (NCGS001W) NO. TUBES REQ: <input type="checkbox"/> BLACK (NCGS001B) N.B. For use with Conservaglass
--	---	---

CRESTING	FINIAL
----------	--------

<input type="checkbox"/> RENAISSANCE <input type="checkbox"/> TUDOR <input type="checkbox"/> ELIZABETHAN <input type="checkbox"/> BAROQUE <input type="checkbox"/> CLASSIC <input type="checkbox"/> LOW PROFILE <input type="checkbox"/> ALUMINIUM	<input type="checkbox"/> PIKESTAFF <input type="checkbox"/> SCEPTRE <input type="checkbox"/> BALL <input type="checkbox"/> CORONET <input type="checkbox"/> CLASSIC <input type="checkbox"/> LOW PROFILE <input type="checkbox"/> ALUMINIUM
---	--

TIE BARS	CONSERVAFLASH	ROOF VENT	ROOF VENT MECHANISM
----------	---------------	-----------	---------------------

<input type="checkbox"/> ROOF COLOUR <input type="checkbox"/> BRASS <input type="checkbox"/> TBRK (If possible) <input type="checkbox"/> CHROME	<input type="checkbox"/> Soaker Only <input type="checkbox"/> Yes	<input type="checkbox"/> BRASS <input type="checkbox"/> CHROME	<input type="checkbox"/> MANUAL WITH BRASS <input type="checkbox"/> MANUAL WITH CHROME <input type="checkbox"/> ELECTRIC WITH SWITCH <input type="checkbox"/> ELECTRIC WITH RAIN SENSOR/THERMOSTAT
--	--	---	---

ANCILLARY EXTRAS

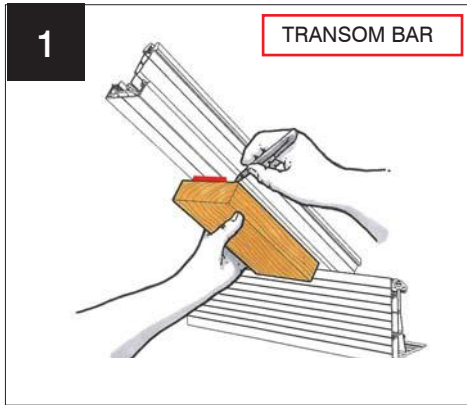
PLEASE SIGN BELOW & FAX BACK TO 0843 208 6944 (quotes) or 0843 208 6945 (orders)

SIGNED

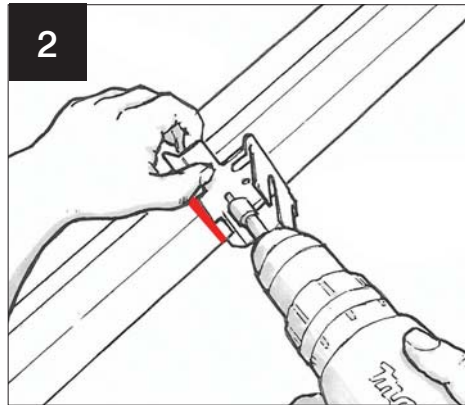
DATE

INSTALLATION - QUICK OVERVIEW

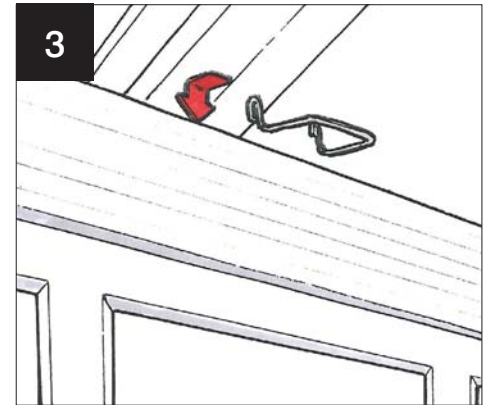
A step by step comprehensive guide is available - ask for a copy.



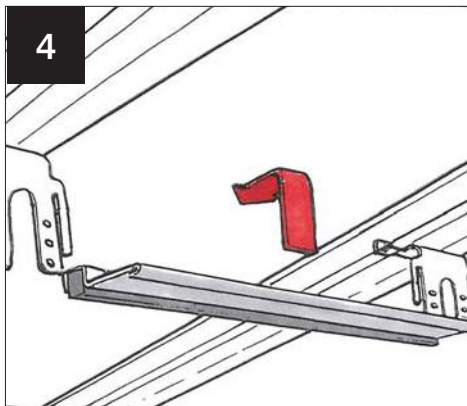
Using the location plan provided find the dimension for setting out bracket positions on the transom bars. Measure up the bar from top edge of fascia board, and mark it. It may be simpler to cut a piece of timber to length and use as a template.



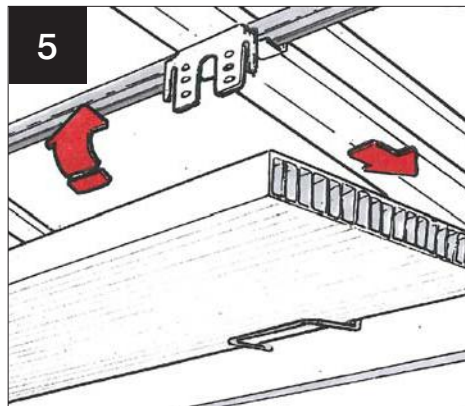
Take a transom bracket and attach using two 4.2 x 19mm self drill Phillips pan head screws supplied- the back edge of the bracket should butt up to the pencil line



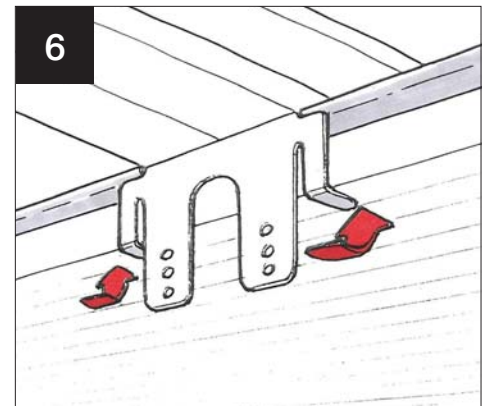
Over the 'V' groove fascia board at the eaves, at each transom bar position, hook over the cloaking panel support clips.



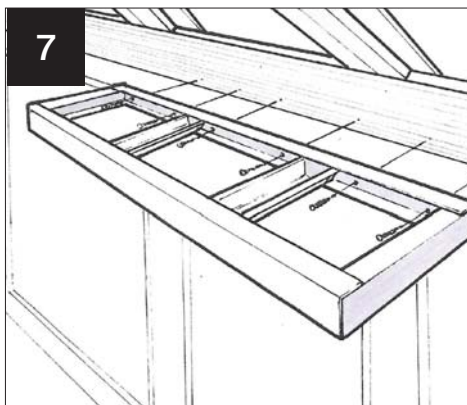
Offer into position the cloaking panel (polycarbonate) support trim - this is lifted up and over the two tabs one per side of the transom brackets



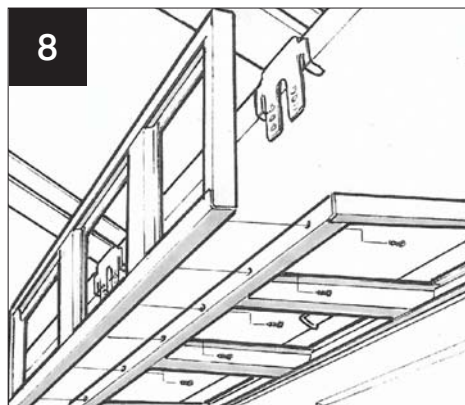
Take the piece of polycarbonate cloaking panel which lays parallel to the eaves and 'sit' it into each of the support clips that are hooked over the fascia. Then push the polycarbonate up into the roof.



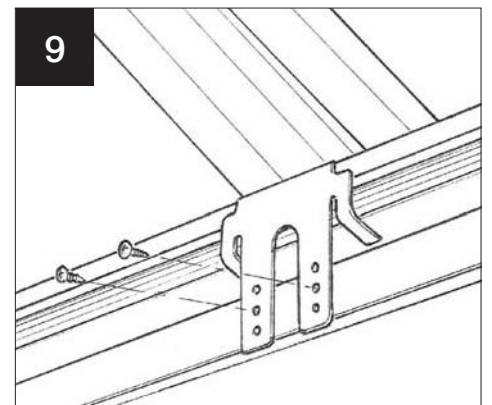
Next bend back the long legged tabs to hold the polycarbonate cloaking trim in its final position.



Offer up the horizontal ladder- a temporary timber support leg will help you here. Use two fixings 4.8 x 32mm at 250mm centres into pre punched holes to attach the ladder.



Choose the matching vertical ladder and offer it into position - hold firmly whilst attaching to the matching horizontal ladder using M4 x 13mm fixings, at 250mm into pre punched holes. Ensure the vertical ladder is behind the brackets.



For each transom bracket use two M4 x 13mm fixings - the layout of the ladders should help you choose which of the three fixing positions to choose from.



Loggia Prestige



Loggia Premium



Loggia Ultimate

QUANTAL

www.quantal.co.uk

ultraframe
Transforming light and space

www.ultraframe.co.uk